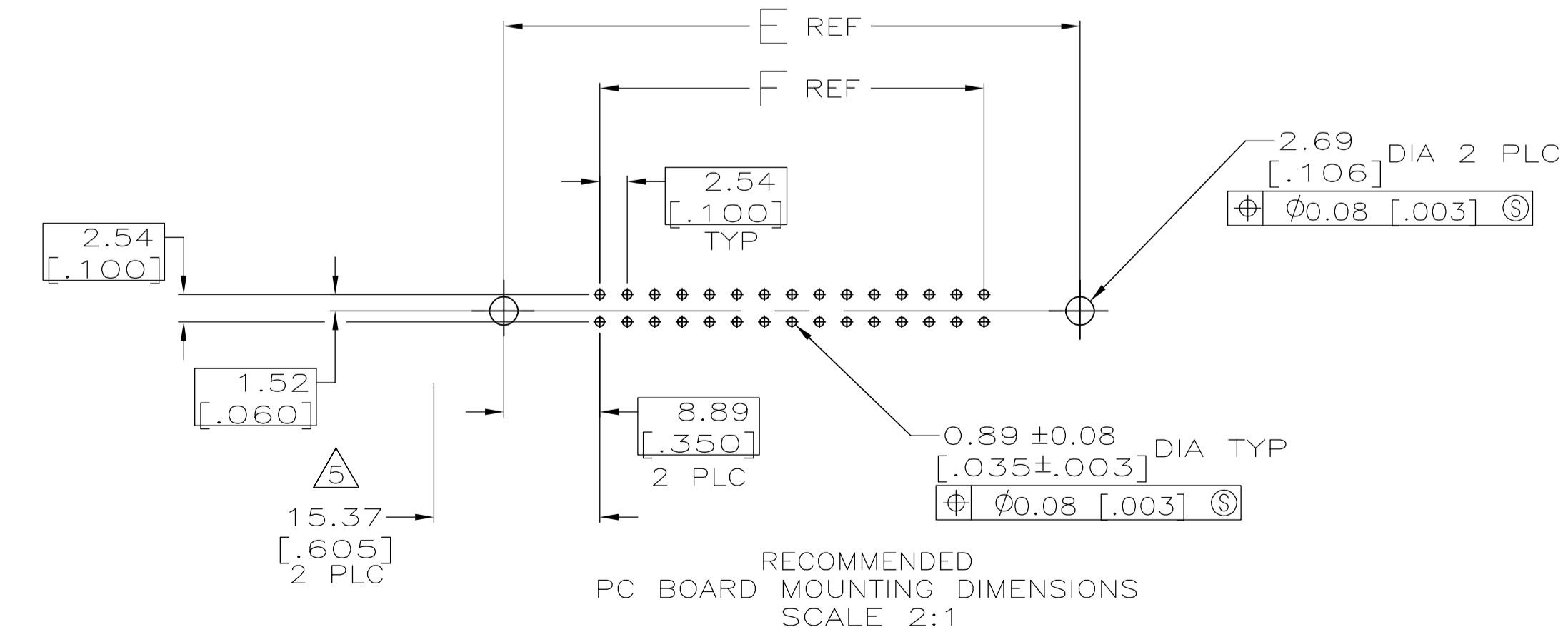
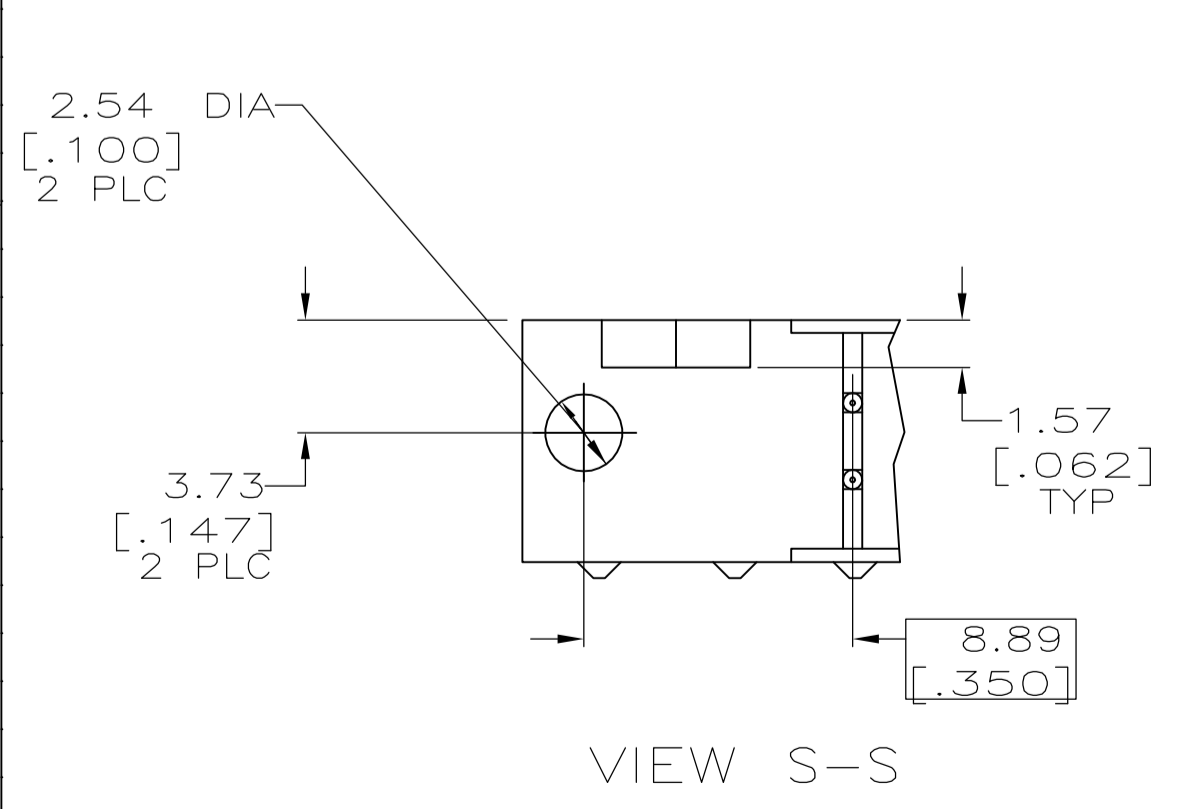
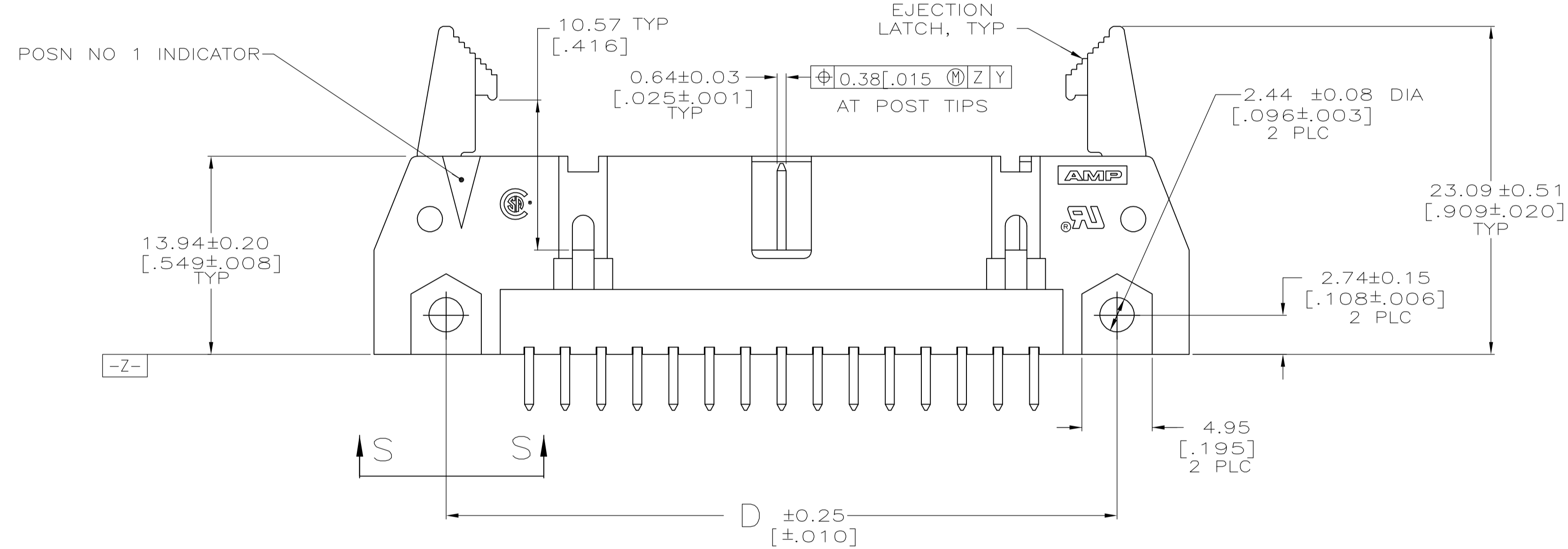
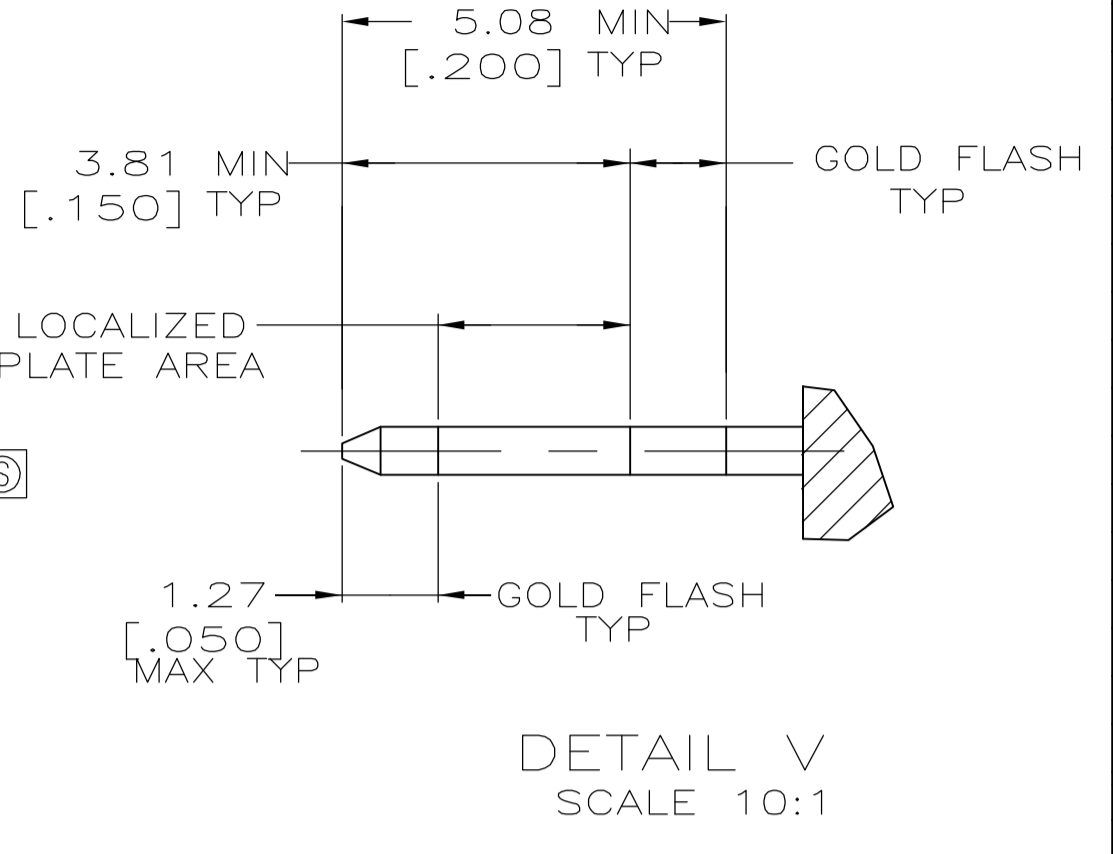
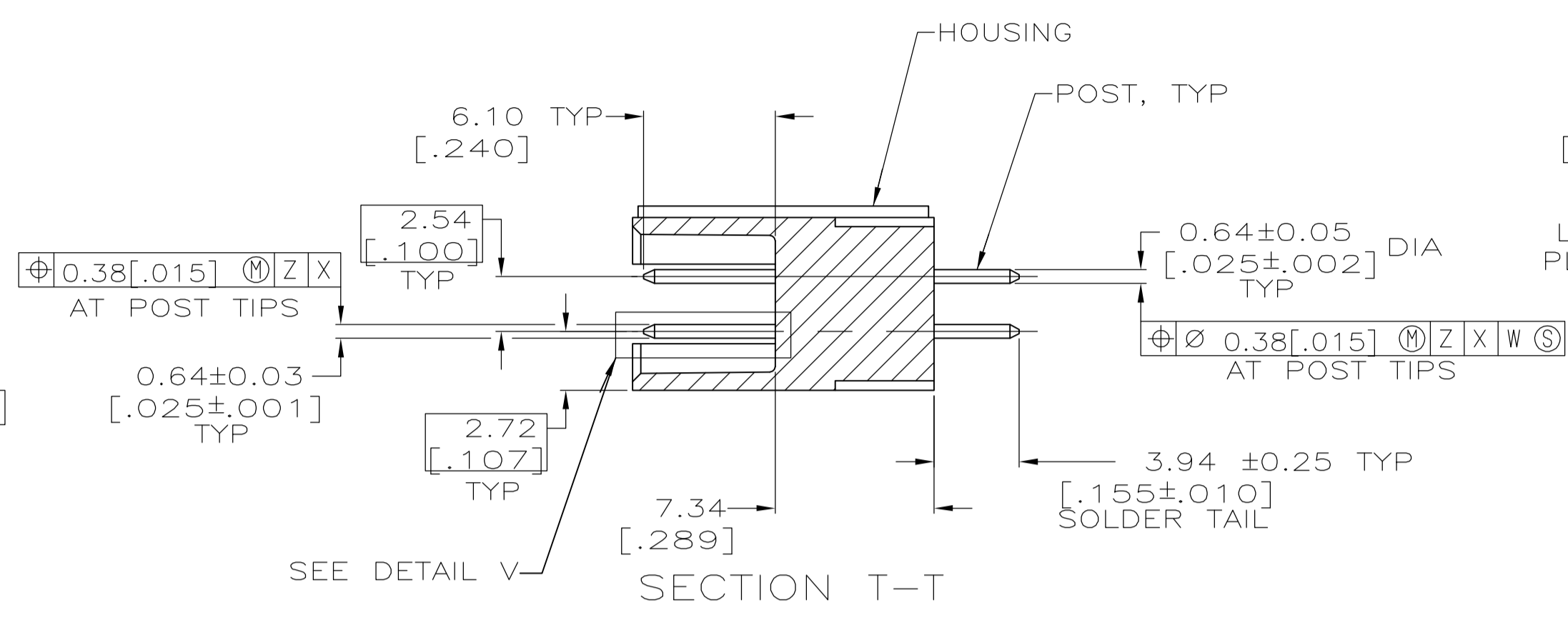
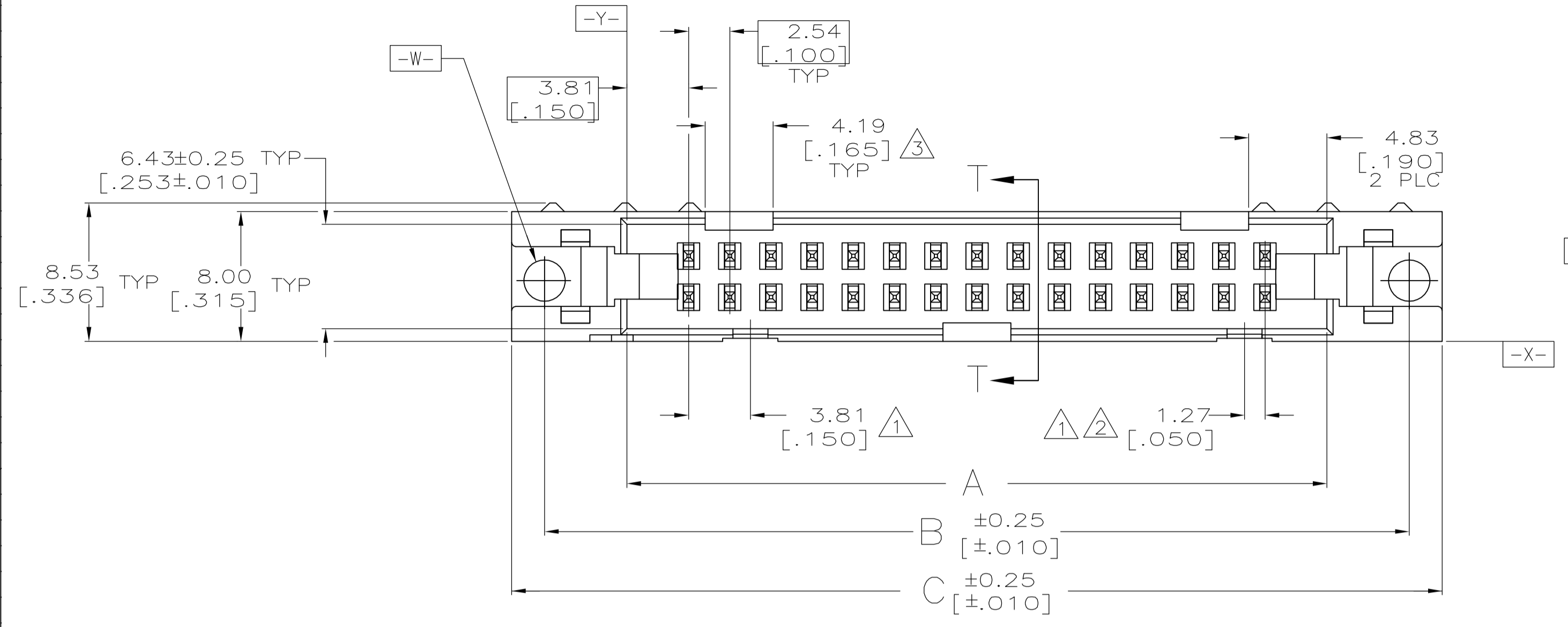


EJECTION LATCHES OMITTED IN THIS VIEW FOR CLARITY



- ① COORDINATE DIMENSION APPLIES FROM BASIC LOCATION.
- ② 10 AND 14 POSITION SIZES CONTAIN ONLY ONE SLOT FOR SNAP-IN POLARIZER (MILITARY POLARIZATION) LOCATED AS SHOWN.
- ③ 10 POSITION SIZES CONTAIN ONLY ONE SLOT FOR DUAL POLARIZATION, LOCATED AS SHOWN.
- 4. RECOMMENDED PRINTED CIRCUIT BOARD THICKNESS IS 3.18 [.125].
- ⑤ DISTANCE REQUIRED BY EJECTION LATCHES IN THE OPEN POSITION.
- ⑥ POSTS:  
 GOLD FLASH OVER  
 0.38µm [.000015] MIN PALLADIUM-NICKEL PLATE ON THE LOCALIZED PLATE AREA,  
 2.54µm [.000100] MIN TIN-LEAD PLATE ON THE SOLDER-TAIL,  
 1.27µm [.000050] MIN NICKEL UNDERPLATE ON THE ENTIRE POST.  
 OR  
 0.38µm [.000015] MIN GOLD PLATE ON THE LOCALIZED PLATE AREA,  
 2.54µm [.000100] MIN TIN-LEAD PLATE ON THE SOLDER-TAIL,  
 1.27µm [.000050] MIN NICKEL UNDERPLATE ON THE ENTIRE POST.
- ⑦ MATERIAL:  
 HOUSING: GLASS FILLED NYLON OR POLYESTER, 94V-0 RATED, BLACK.  
 POSTS: PHOSPHOR BRONZE OR BRASS.

OBSELETE	-	-	53.34	71.12	65.02	75.18	71.12	60.96	44	1-499911-3
	1-102156-2	102312-1	78.74	96.52	90.42	100.58	96.52	86.36	64	1-499911-2
SUPSD BY 1-499374-1	-	-	3.100	3.800	3.560	3.960	3.800	3.400	60	1-499911-1
			73.66	91.44	85.34	95.50	91.44	81.28		
OBSELETE	-	-	60.96	78.74	72.64	82.80	78.74	68.58	50	1-499911-0
			48.26	66.04	59.94	70.10	66.04	55.88	40	499911-9
			1.900	2.600	2.360	2.760	2.600	2.200		
			40.64	58.42	52.32	62.48	58.42	48.26	34	499911-8
			1.600	2.300	2.060	2.460	2.300	1.900		
OBSELETE	-	-	35.56	53.34	47.24	57.40	53.34	43.18	30	499911-7
			1.400	2.100	1.860	2.260	2.100	1.700		
SUPSD BY 499374-6	-	-	30.48	48.26	42.16	52.32	48.26	38.10	26	499911-6
			1.200	1.900	1.660	2.060	1.900	1.500		
OBSELETE	-	-	27.94	45.72	39.62	49.78	45.72	35.56	24	499911-5
			1.100	1.800	1.560	1.960	1.800	1.400		
OBSELETE	-	-	22.86	40.64	34.54	44.70	40.64	30.48	20	499911-4
			.900	1.600	1.360	1.760	1.600	1.200		
OBSELETE	-	-	17.78	35.56	29.46	39.62	35.56	25.40	16	499911-3
			.700	1.400	1.160	1.560	1.400	1.000		
SUPSD BY 499374-2	-	-	15.24	33.02	26.92	37.08	33.02	22.86	14	499911-2
			.600	1.300	1.060	1.460	1.300	.900		
OBSELETE	-	-	10.16	27.94	21.84	32.00	27.94	17.78	10	499911-1
			.400	1.100	.860	1.260	1.100	.700		
HEADER QTY: 1	LATCHES QTY: 2		F	E	D	C	B	A	NO OF POSN	PART NUMBER
SUPERSEDED BY										

THIS DRAWING IS A CONTROLLED DOCUMENT.

DIMENSIONS: mm [INCHES]	TOLERANCES UNLESS OTHERWISE SPECIFIED:	DIN H. MOLL 4-23-90	tyco Electronics Tyco Electronics Corporation Harrisburg, PA 17105-3608
0 PLC ± -	1 PLC ± -	CHK R. STONE	NAME
2 PLC ± -	3 PLC ± 0.13[.005]	APVD	PRODUCT SPEC 108-40018
4 PLC ± -	ANGLES ± -		APPLICATION SPEC
MATERIAL	FINISH	SIZE	CAGE CODE
		WEIGHT	DRAWING NO
			RESTRICTED TO
		CUSTOMER DRAWING	SCALE 4:1 SHEET 1 OF 1 REV N